

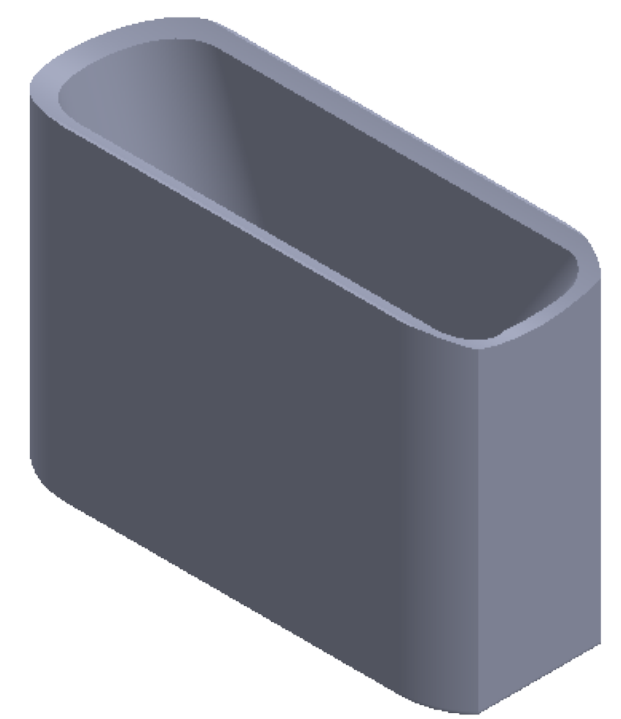
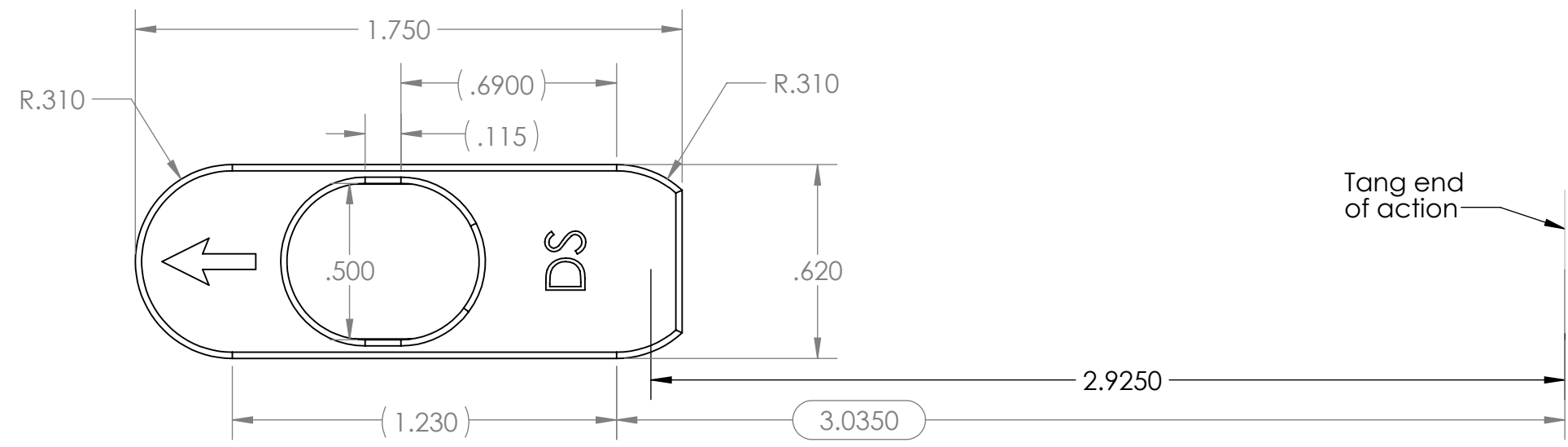
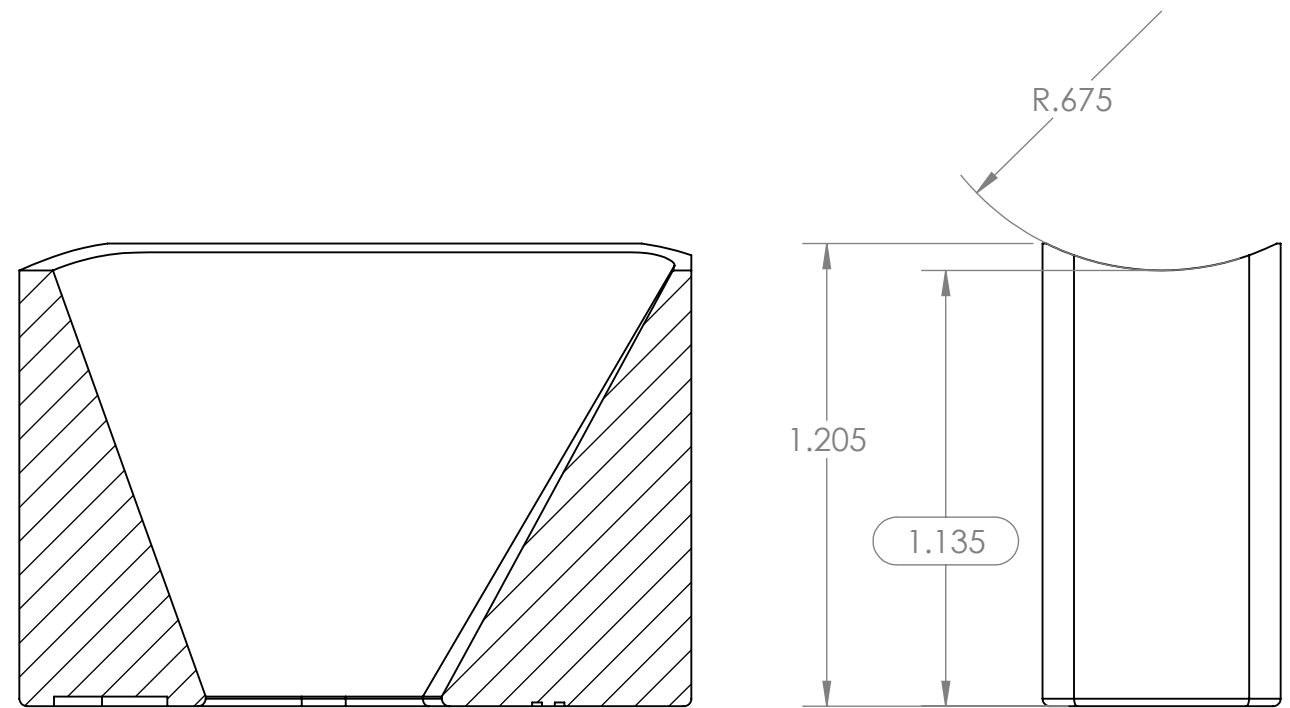
4


3

2

1

REVISIONS				
ZONE	REV.	DESCRIPTION	DATE	APPROVED



	UNLESS OTHERWISE SPECIFIED: DIMENSIONS ARE IN INCHES TOLERANCES: ANGULAR: ± .5 DEG TWO PLACE DECIMAL ±.005 THREE PLACE DECIMAL ±.001 FOUR PLACE DECIMAL ±.0004		NAME	DATE	BAT MACHINE CO. INC. TITLE: Drop Port Funnel B&DS 6BR
	DO NOT SCALE DRAWING PROPRIETARY AND CONFIDENTIAL THE INFORMATION CONTAINED IN THIS DRAWING IS THE SOLE PROPERTY OF BAT MACHINE CO. INC. ANY REPRODUCTION IN PART OR AS A WHOLE WITHOUT THE WRITTEN PERMISSION OF BAT MACHINE CO. INC. IS PROHIBITED.	THIRD ANGLE PROJECTION MATERIAL FINISH	DRAWN CHECKED ENG APPR. MFG APPR. Q.A. COMMENTS:	D. Thom XX XX XX XX XX	
SCALE: 2:1		WEIGHT:	SHEET 1 OF 2		SIZE B DWG. NO. Drop-Port-Funnel REV A

4

3

2

1