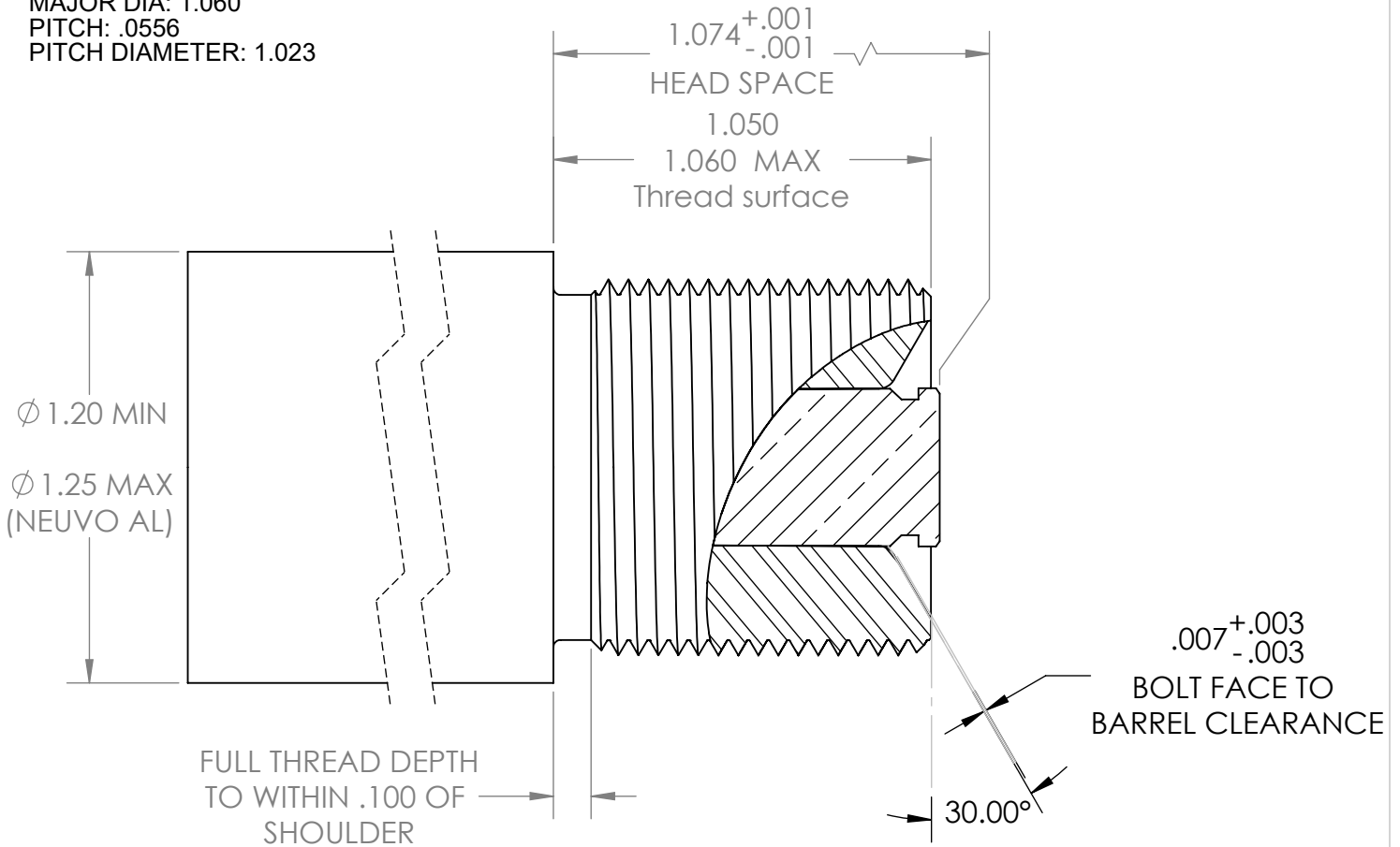


THIS DRAWING APPLIES ONLY TO THE FOLLOWING ACTION MODELS.

NEUVO, NEUVO AL, NEUVO LR


NOTES:

THREAD SIZE: 1-1/16 X 18
 THREAD PROFILE: 60° V
 TPI: 18
 MAJOR DIA: 1.060
 PITCH: .0556
 PITCH DIAMETER: 1.023



WARNING:

1. This print is for use with Neuvo actions only!
2. There may be some bastard actions due to customer rework. These may utilize oversize 1-1/16 threads. It is your responsibility to verify the thread size in the action you are chambering for.
3. Length of thread extension & size of cone will vary depending on the size of the bolt face and must be individually fit.
4. BAT Machine Inc. builds custom actions that may or may not match this drawing, and does not accept any liability from the use or misuse of this information. ALL actions should be measured individually.
5. The end user is solely responsible for the safe use of the product.

<p>PROPRIETARY AND CONFIDENTIAL</p> <p>THE INFORMATION CONTAINED IN THIS DRAWING IS THE SOLE PROPERTY OF BAT MACHINE CO. INC. ANY REPRODUCTION IN PART OR AS A WHOLE WITHOUT THE WRITTEN PERMISSION OF BAT MACHINE CO. INC. IS PROHIBITED.</p>	<p>DIMENSIONS ARE IN INCHES TOLERANCES UNLESS OTHERWISE SPECIFIED:</p> <p>ANGULAR: ± 1 DEGREE TWO PLACE DECIMAL ±.005 THREE PLACE DECIMAL ±.001</p>	NAME	DATE	<p>BAT Machine Co. Inc.</p> <p>1-1/16 X 18</p> <p>NEUVO ONLY</p>
		DRAWN	D. Thom	
	MATERIAL	CHECKED		<p>SIZE DWG. NO. REV.</p> <p>A tenon-1062-Neuvo C</p> <p>SCALE:2:1 WEIGHT: SHEET 1 OF 1</p>
	FINISH	ENG APPR.		
	DO NOT SCALE DRAWING	MFG APPR.		
		COMMENTS:	Q.A.	